



SPECIALISTS IN CRYOGENIC EQUIPMENT

VentHeater

Stainless steel, vent heater designed to be installed at liquid nitrogen keepful device to heat vapor at cryovent outlet.



All Vent Heaters come with Cryogas's renowned customer service, from conceptual design to implementation, and are backed by a one year warranty.

Vent Heater

Cryovent Exhaust Gas Heater is designed to fit on the bayonet outlet of a Cryogas Cryovent. When liquid in the piping system is constantly vaporizing, the vapor exiting the Cryovent outlet may cause condensation and frosting at the vent outlet. The cryovent heater provides a heated path whereby the cryogenic gas is warmed to halt the creation of ice and condensation. This heater can either be plugged in or hard wired. This creates a safe environment while minimizing potential pipe strain which can be associated with a non-heated cryovent.

Typical Applications

- Cryovent / Keepful device
- Phase Separators

Features and Benefits

- Installs on the outlet of any liquid nitrogen keepful device.
- Eliminates ice formation on vent piping.
- Eliminates need for insulation on vent piping.
- Eliminates need for vent piping in large room discharge area.
- No more condensate drip on floor and ceiling tiles.

Vent Heater Specifications

Voltage

- 110 VAC
- 220 VAC

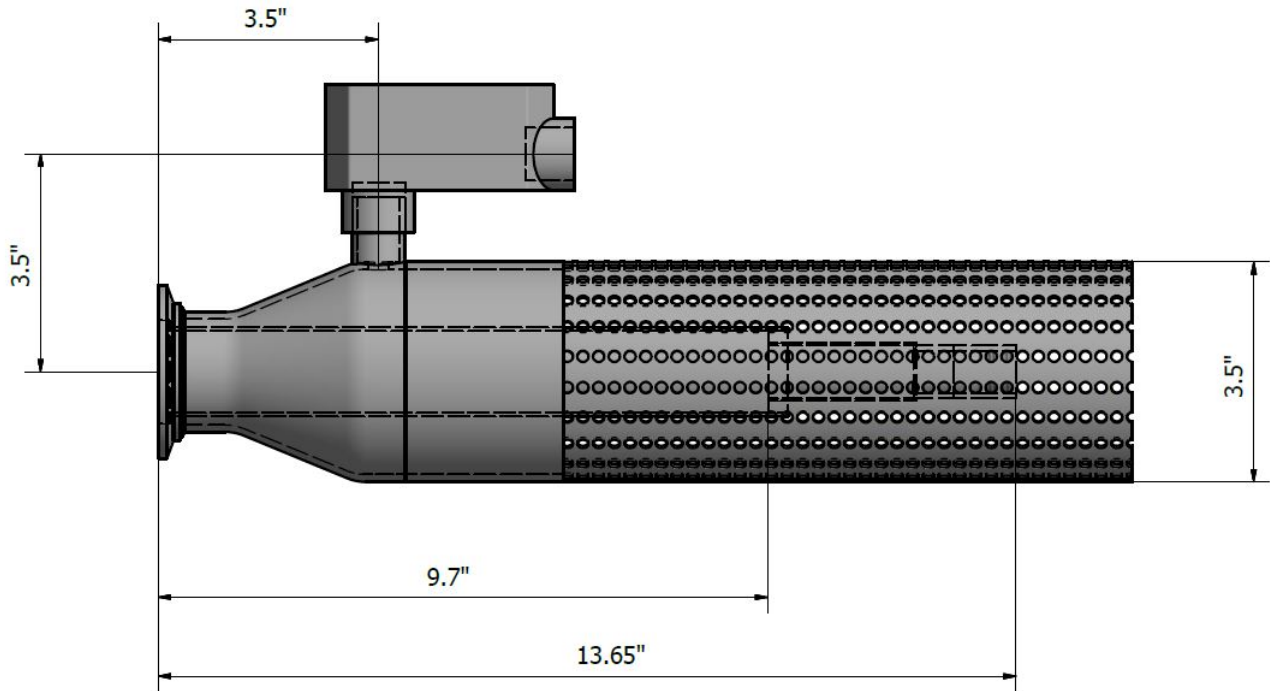
Power Connection

- Standard grounded plug
- Hard wired

Current

- 3 Amps

Vent Heater Dimensions



Visit our website at: www.cryogas.asia

CRYOGAS TECH.

No 10, Jalan PPU3A, Puchong 47150 Selangor Malaysia

Phone: (603) 8051-0982 Fax: (603) 8051-0913

e-mail: info@cryogas.com.my