



SPECIALISTS IN CRYOGENIC EQUIPMENT

Modular *Fittings*

Stainless steel, vacuum jacketed modular fittings designed to transfer LN2



All Modular Fittings come with Cryogas's renowned customer service, from conceptual design to implementation, and are backed by a one year warranty.

Vacuum Insulated Modular Fittings

Cryogas vacuum insulated fittings are recommended when system efficiency and elimination of frost, ice and moisture are essential. The initial cost is greater for the vacuum insulated option, but the savings outweigh the investment in less than a year. Vacuum insulated pipes not only reduce product loss, but at the same time maintain the quality of the liquid from bulk tank storage. Vacuum insulated pipes are virtually maintenance free up to 10 years with no system performance deterioration over that period. Two types of vacuum jacketed piping (VJP) systems — rigid and flexible — are available for systems that require long runs of piping from bulk storage vessel to one or several use points. Also available in both Dyna and Stati technology.

Typical Applications

- Test Handlers in IC Assembly and Test
- Environmental Chambers
- Bottling Lines and Packaging
- Food Freezing

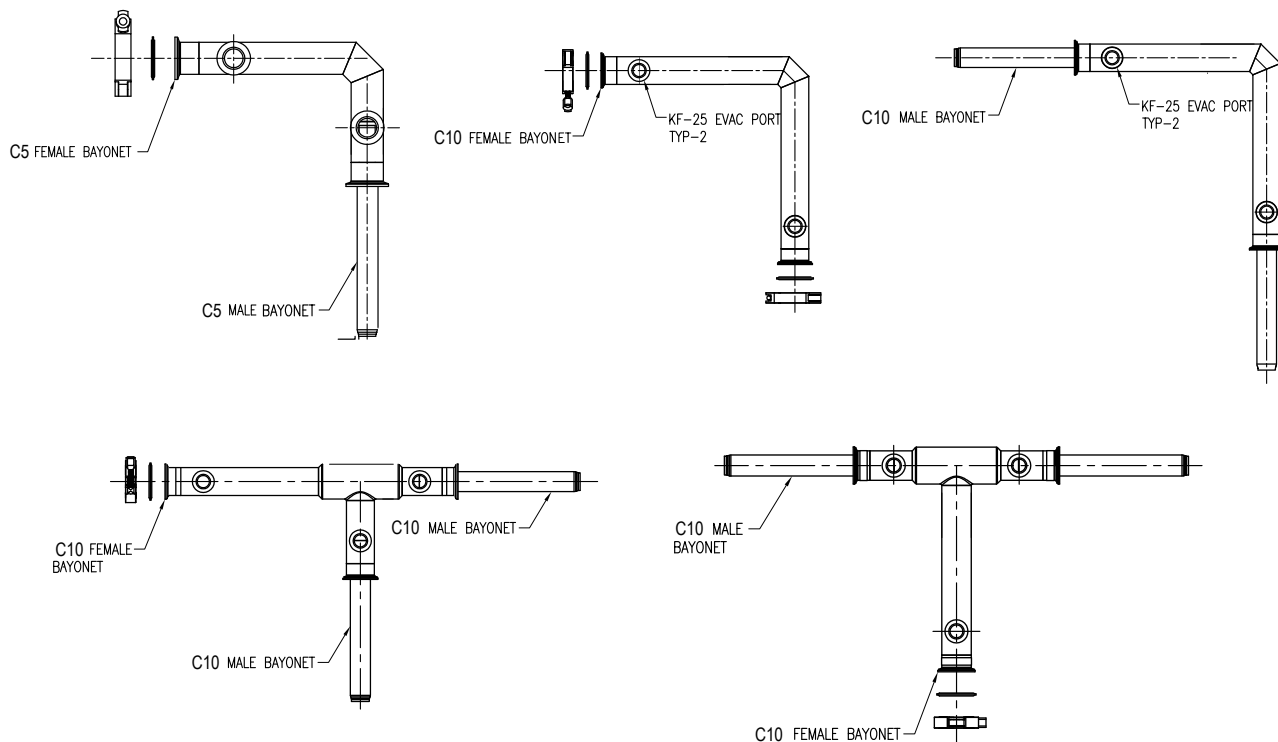
Features and Benefits

- Available in Tee and Elbow patterns.
- Various sizes available.
- Consistent liquid nitrogen delivery.
- Reduced product loss caused by heat leak.
- Vacuum jacketed pipes for frost-free operation.
- Maintain the quality of liquid from the bulk storage.
- Quick return on investment in less than a year.
- Shorter lead time.
- Available on standard components.
- Ease of installation.

Modular Fitting Specifications

Model/PN – Standard Sizes	C5	C10
Inner Diameter	0.625" (15.9mm)	1.25" (31.8mm)
Outer Diameter	1.8" (45.7mm)	2.6" (66.0mm)
Steady State Heat Loss	1 btu/hr/ft (.96 watts/meter)	2 btu/hr/ft (1.9 watts/meter)
Bayonet Heat Loss	6 btu/hour (1.8 watts)	12 btu/hour (3.5 watts)

Modular Tee and Elbow Fittings (available as static or dynamic vacuum)



Other configurations are available please contact us for more inquiries



CRYOGAS TECH.

No 10, Jalan PPU3A, Puchong 47150 Selangor Malaysia

Phone: (603) 8051-0982 Fax: (603) 8051-0913

e-mail: info@cryogas.com.my