



SPECIALISTS IN CRYOGENIC EQUIPMENT



Degasser

Stainless Steel Vacuum Insulated Degasser, a new upgrade of the traditional Gas Vent



All Degassers come with Cryogas's renowned customer service, from conceptual design to implementation, and are backed by a one year warranty.

Degasser

Vacuum Insulated Degasser is an upgrade of a traditional Gas Vent. Due to a constant heat in-leak (static heat leak) and pressure drop between tank and consumer points liquid nitrogen partly evaporates to boil-off gas. A Degasser helps you to increase the liquid nitrogen quality on the consumer points by mechanical separation of boil-off gas from liquid while in use. This degasser is part of the conditioning equipment group and like the gas vent self-operating. Standard liquid nitrogen flow consumptions up to 250 L/h are no problem. Higher capacities are custom made available on request. Degassers are available for pressures up to ASME Class 150 OR PN16. Standard designed in straight (Z-shaped) and angled model and can optionally be equipped with

Typical Applications

- Cool down of piping
- Phase Separators in combination with a back-pressure valve when no electric power or pneumatics are available

Features and Benefits

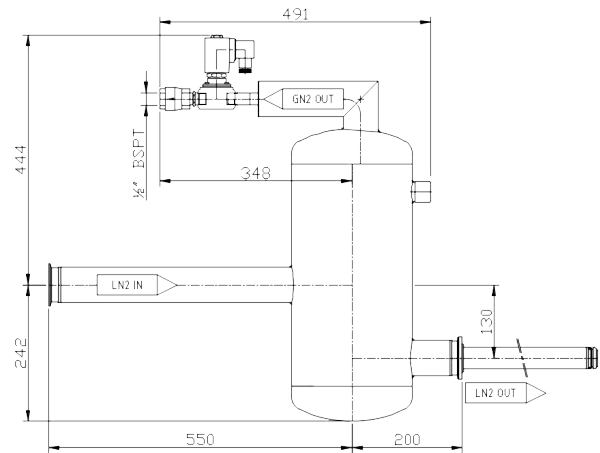
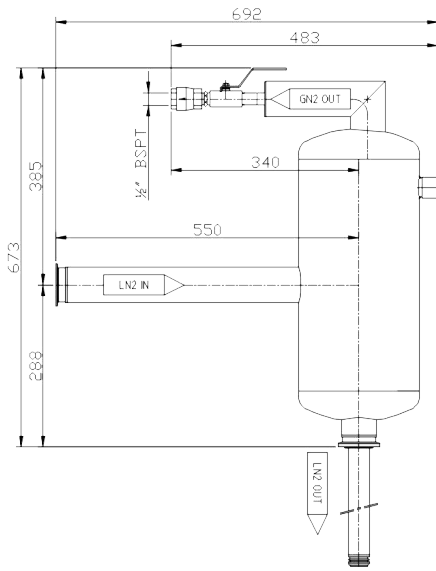
- ,Puvov
- o.oPv X
- Standard C5 & C10 male and female coupling models
- Outlet provided with solenoid valve and check valve
- Standard design according Pressure Equipment Directive (PED) or ASME CODE
- Fully automatic venting of gas during consumption
- Easy to install

Degasser Specifications

1. Standard according Pressure Equipment Directive (PED) /ASME CODED
2. Flow capacity up to 250 L/h (depending on inlet gas quality. Maximum flow depending on pre-supplied gas & liquid mixture. Larger amounts of gas results in less liquid flow
3. Maximum allowable operating pressure PN12 or PN16
4. Cleanliness level:
 - Cleaned oil and grease-free
 - Oxygen clean on request

5. Static vacuum with Multi-Layer Insulation
 - Standard testing for each degasser:
 - Dimensional check
 - Helium leak test ($<1 \times 10^{-9}$ mbarL/sec)
 - Vacuum retention test after 24h at ambient temp (acceptance level $<2 \times 10^{-E}$ mbar)

Degasser Dimensions



CRYOGAS TECH.
No 10, Jalan PPU3A, Puchong 47150 Selangor Malaysia
Phone: (603) 8051-0982 Fax: (603) 8051-0913
e-mail: info@cryogas.com.my